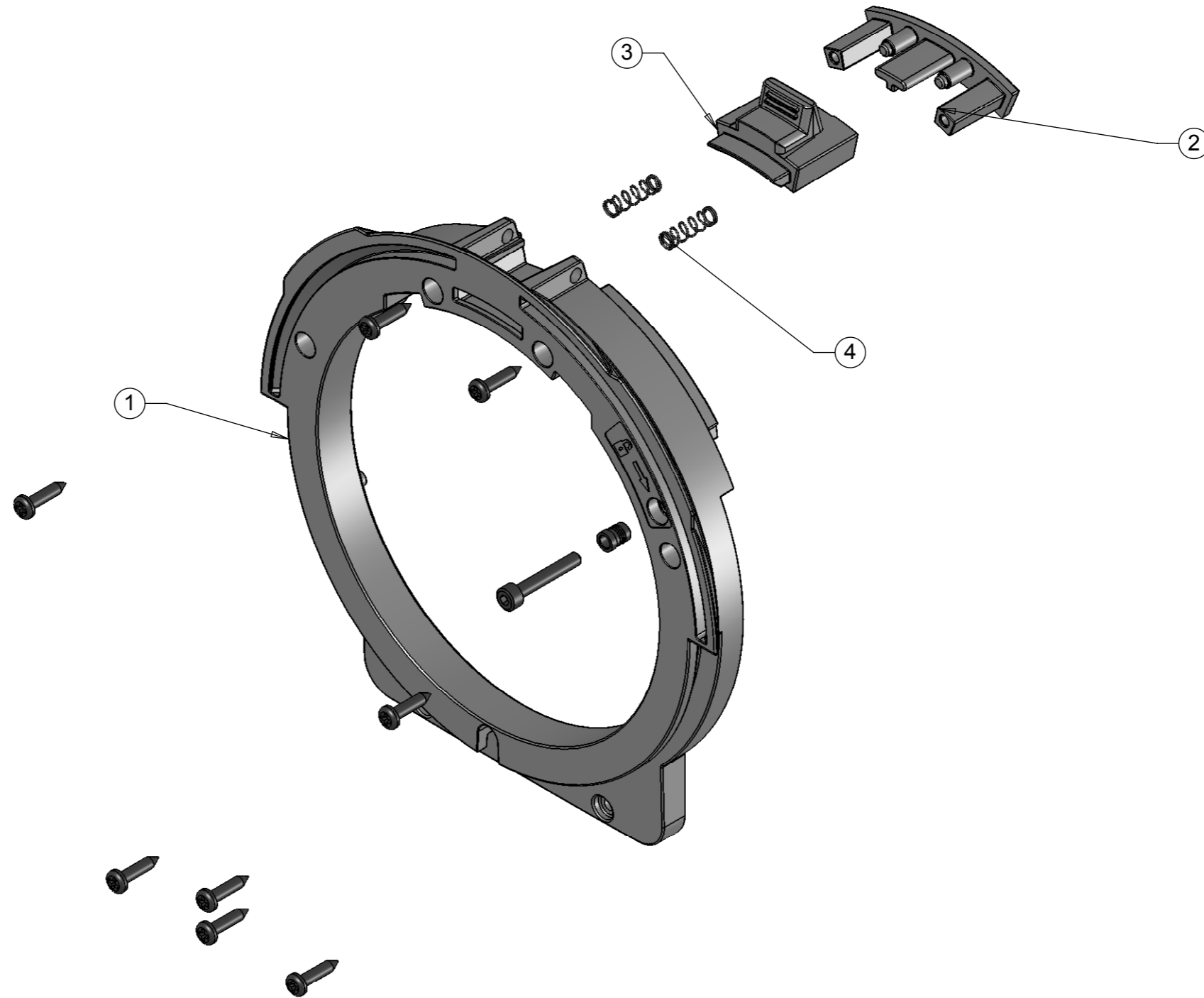


ITEM NO.	PartNo	DESCRIPTION	QTY.
1	SPXPLA013	Interface Ring	1
2	SPXPLA044	LENS TUBE REAR I/FACE RETAINER	1
3	SPXPLA014	Interface Ring Latch	1
4	RASPR001	Lid Spring	2



REV	DATE	BY	MODIFICATIONS

PHILIPS
Selecon
www.seleconlight.com
19-21 Kawana St, Northcote,
Auckland 0627, New Zealand

APPLICABLE STANDARD:
DRAWN TO NZS/AS 1100

TOLERANCE EXCEPT WHERE
OTHERWISE STATED:
X ± 0.5
X.X ± 0.1
X.XX ± 0.05
ANGLES ± 0.5°

DIMENSIONS IN mm
DO NOT SCALE

MATERIAL: **As Parts**

FINISH: **As Parts**

VOLUME: **113022.56**

MASS: **182.05**

TITLE: **LENTUBE INTERFACE ASSEMBLY**

SIZE: **A3** PART NO: **SPXA054** REV: **A**

SCALE: NTS FILE: A054_SPX_LENTUBE_INTERFACE_SPXASSY004.slddrw Sheet 1 of 1

Modeled: **ERROR! Model Down: 1/01/2008** Checked:
By: **ERROR! 1st Mod By: -** Approved:

DRAWN IN THIRD ANGLE PROJECTION

© COPYRIGHT 2009
This drawing remains the property of PHILIPS SELECON