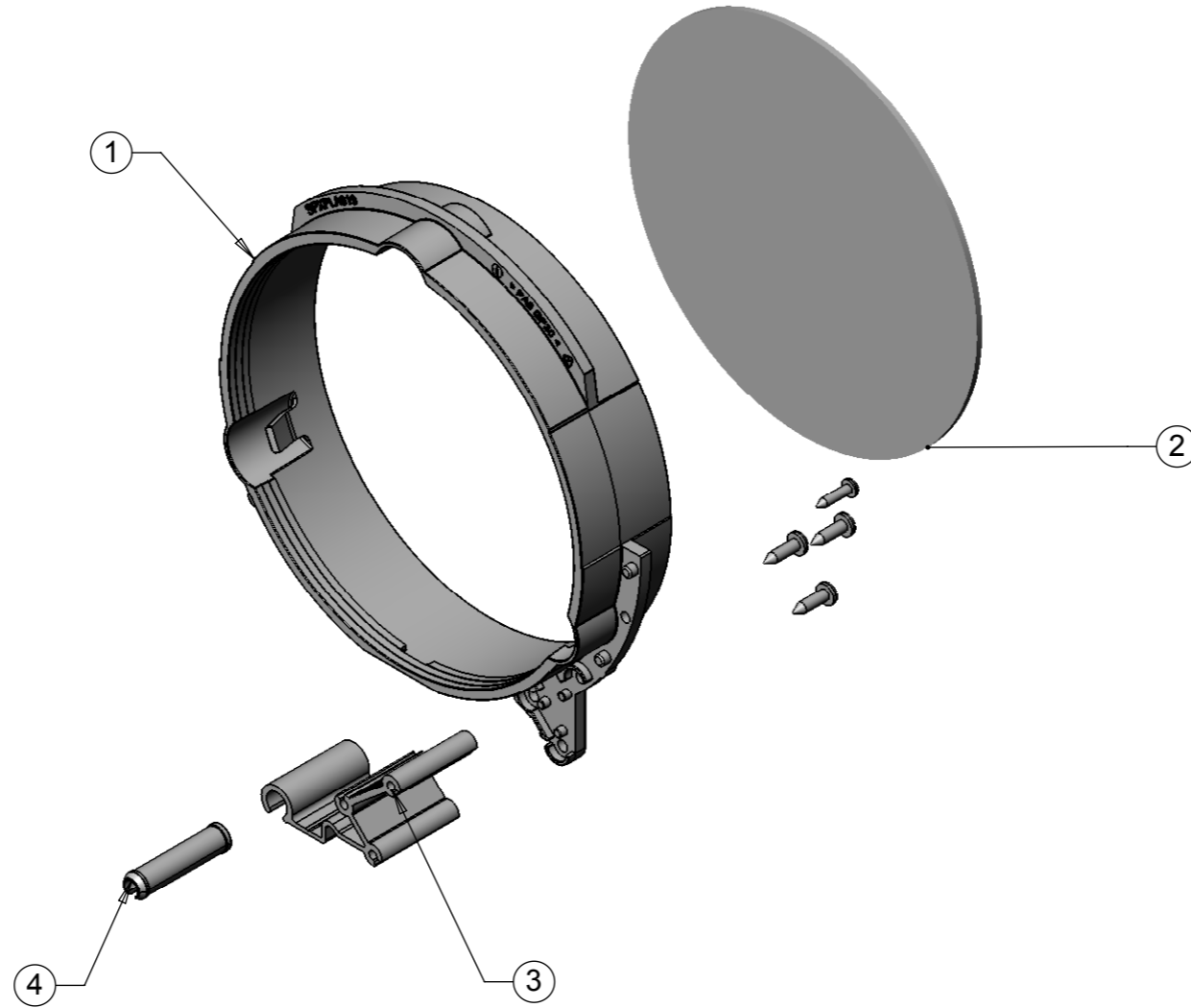


ITEM NO.	PartNo	DESCRIPTION	QTY.
1	SPXPLA019	FRONT LENS HOLDER	1
2	SPXLENxxx	FRONT LENS	1
3	SPXEXT013	LENTUBE EXTRUSION BASE MODEL	1
4	SPXPLA053	LENS CARRIER BEARING	1



REV	DATE	BY	MODIFICATIONS

PHILIPS
Selecon
www.seleconlight.com
19-21 Kawana St, Northcote,
Auckland 0627, New Zealand

APPLICABLE STANDARD:
DRAWN TO NZS/AS 1100

TOLERANCE EXCEPT WHERE
OTHERWISE STATED:
X ± 0.5
X.X ± 0.1
X.XX ± 0.05
ANGLES ± 0.5°

DIMENSIONS IN mm
DO NOT SCALE

MATERIAL: **AS PARTS**

FINISH: **AS PARTS**

VOLUME: **172072.06**

MASS: **380.55**

TITLE: **FRONT LENS ASSEMBLY**

SIZE: A3	PART NO: SPXA053	REV: 1
SCALE: NTS	FILE: A053_SPX_FRONT LENS CARRIER_SPXASSY003.slddrw	Sheet 1 of 1
Modeled: 1/01/2008 By: name	Drawn: 1/01/2008 By: -	Checked: Approved:

DRAWN IN THIRD ANGLE PROJECTION

© COPYRIGHT 2009
This drawing remains the property of PHILIPS SELECON